

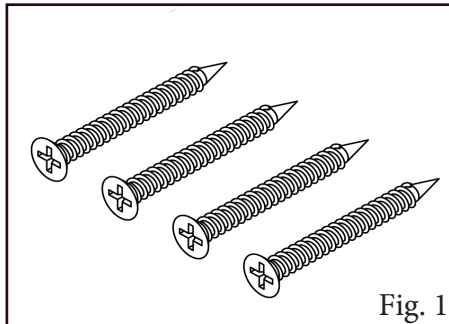
ADA-WG WALL GUARD INSTALLATION INSTRUCTIONS

(For use with all *EXTREMEAIR*[®], *Advantage*[™] & *Global*[®] hand dryers)

WARNING:

DISCONNECT POWER BEFORE INSTALLING
DESUNA LA ELECTRICIDAD ANTES DE HACER REPARACIONES

STEP 1.

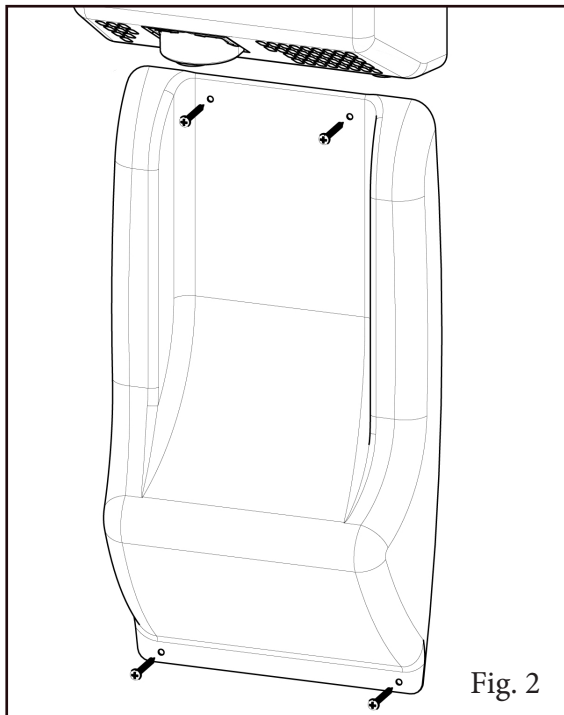


Verify all hardware is present.

(1) Stainless steel wall guard

(4) #8 x 1-1/2" stainless steel wood screw

STEP 2.



Mount the wall guard below the hand dryer as shown in Fig. 2.

Use the (4) #8x1-1/2" screws provided to attach to the wall.



AMERICAN DRYER, INC.

33067 INDUSTRIAL ROAD, LIVONIA, MI 48150, U.S.A.

Telephone (734) 421-2400 • Fax (734) 421-5580

www.americandryer.com • Email: sales@americandryer.com

Revised March 2013