

# ADA-RK RECESS KIT INSTALLATION INSTRUCTIONS

(For use with all GX, GXT, & EXT hand dryers)

**WARNING:** DISCONNECT POWER BEFORE INSTALLING  
DESUNA LA ELECTRICIDAD ANTES DE HACER REPARACIONES

## STEP 1.

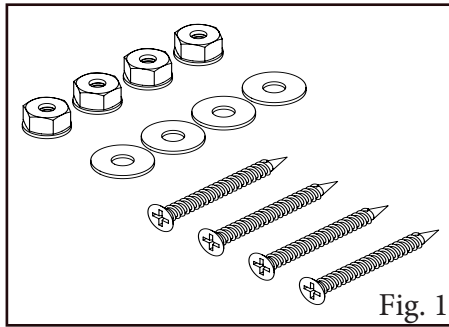


Fig. 1

Verify all hardware is present.

- (1) Stainless steel recess box
- (4) #8 x 1-1/2" stainless steel wood screw
- (4) #10 flat washer
- (4) #10-32 nut w/ nylon insert

## STEP 2.

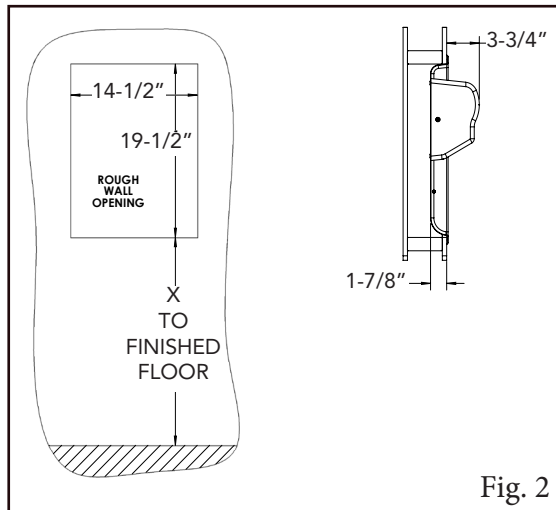


Fig. 2

Begin with a 14-1/2" W x 19-1/2" H rough wall opening framed on all sides. Make sure the opening is the correct distance above the floor. Refer to the chart below for mounting heights.

"X"

Men	35 3/8"
Women	33 3/8"
Children	23 3/8" - 33 3/8"
Disabled	27 3/8"

## STEP 3.

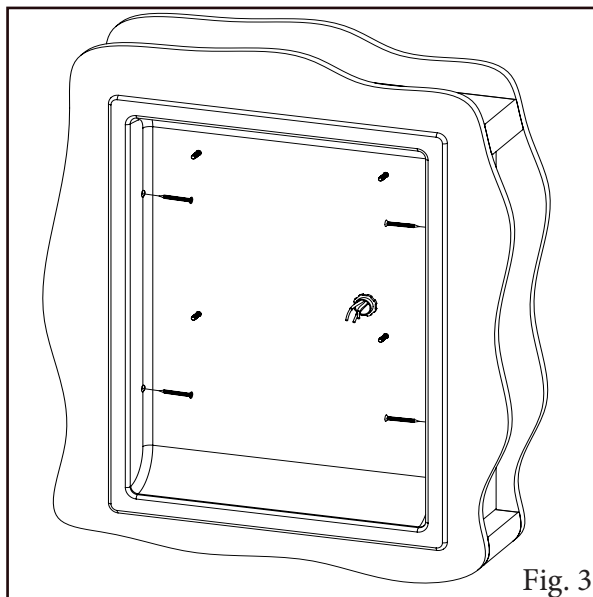


Fig. 3

Insert the recess box into the rough wall opening. Run electrical through conduit entrance as shown. Using the provided wood screws, secure recess box to wall studs as shown in figure 3.

**WARNING:**

DISCONNECT POWER BEFORE INSTALLING  
DESUNA LA ELECTRICIDAD ANTES DE HACER REPARACIONES

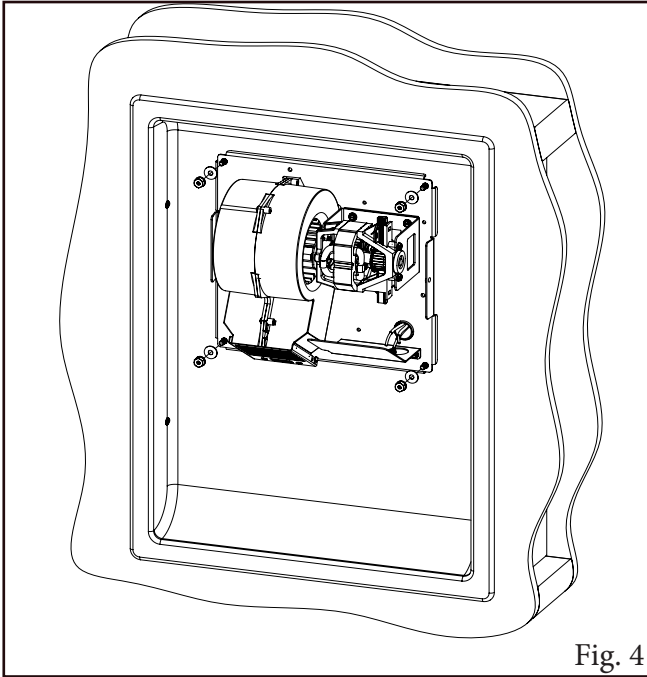
**STEP 4.**

Fig. 4

Remove the hand dryer cover and place dryer on the 4 mounting studs. Secure using (4) #10 flat washers and (4) #10-32 nuts. Connect electrical wires to dryer per the dryer schematic.

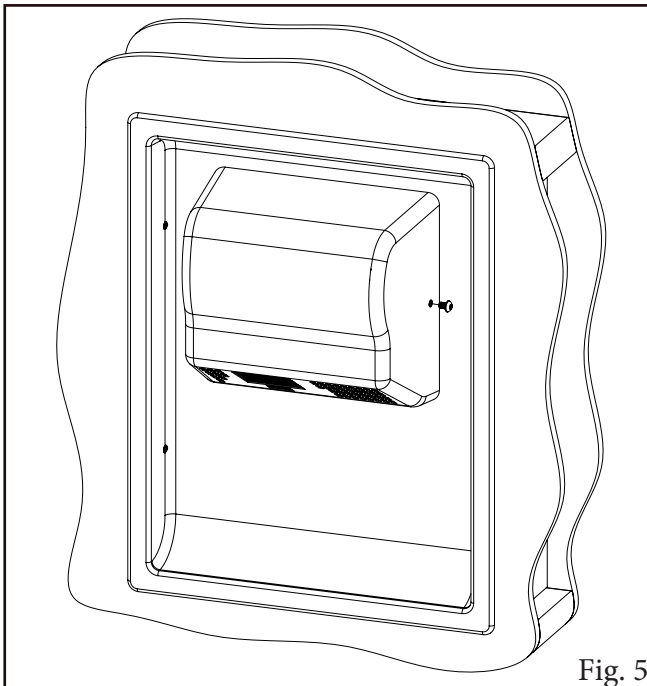
**STEP 5.**

Fig. 5

Place cover on dryer and secure with (2) tamper proof security screws (included with dryer). Turn power on at breaker and test.



AMERICAN DRYER, INC.  
33067 INDUSTRIAL ROAD, LIVONIA, MI 48150, U.S.A.  
Telephone (734) 421-2400 • Fax (734) 421-5580  
www.americandryer.com • Email: sales@americandryer.com  
Revised November 2012