

# AMERICAN DRYER® ACCESSORIES

## ACCESSORIES ENHANCE ALL **EXTREMEAIR®**, **ADVANTAGE™** AND **GLOBAL®** SERIES HAND DRYERS



### Industry-First ADA Wall Guard

*No need to cut a hole in the wall to achieve ADA compliance.*

Dramatically reducing moisture on walls and floors, new patent-pending Wall Guard is ADA compliant, achieving the four-inch-or-less unit protrusion guidelines without the need to recess the accompanying dryer into the wall. This eliminates the need to cut holes and reframe restroom walls, which is especially valuable for cinder block, masonry or other difficult-to-modify surfaces.

Wall Guard is designed to sit below the dryer and is easily installed using just the four screws provided. It achieves ADA compliance and provides safety for users living with disabilities because its curved lower edge assures that the "leading edge" of the dryer-with-wall-guard unit is 26" or less from the finished floor, a distance that meets ADA standards to protect people using wheelchairs or walking aids.

Wall Guard features elegant, seamless one-piece stainless steel construction.

Part # ADA-WG\*

\*Not for use with hair dryers.

### ADA Recess Kit

The all new Recess Kit reduces the protrusion of the dryer to less than four inches from the wall to meet ADA requirements when the dryer is installed in a hallway or narrow passage. The Recess Kit features seamless one-piece stainless steel construction and is easy to install.

Part # ADA-RK\*

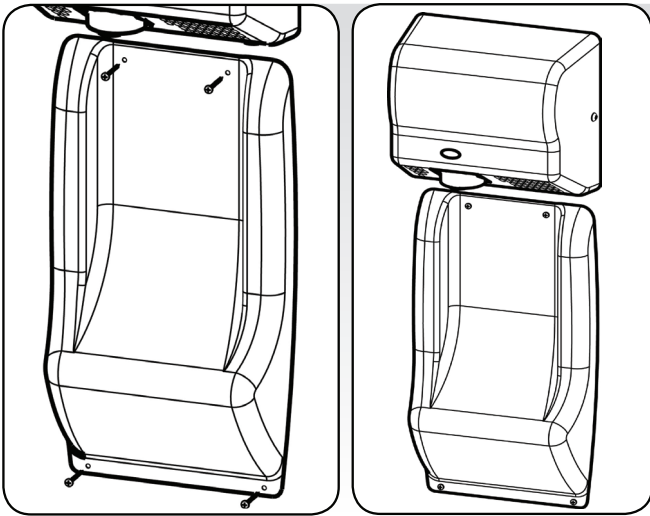
\*Not for use with hair dryers.



### Adapter Plate

The Adapter Plate is a 16" W x 14" H stainless steel plate that covers mounting holes when replacing old hand dryers and paper towel dispensers.

Part # AP

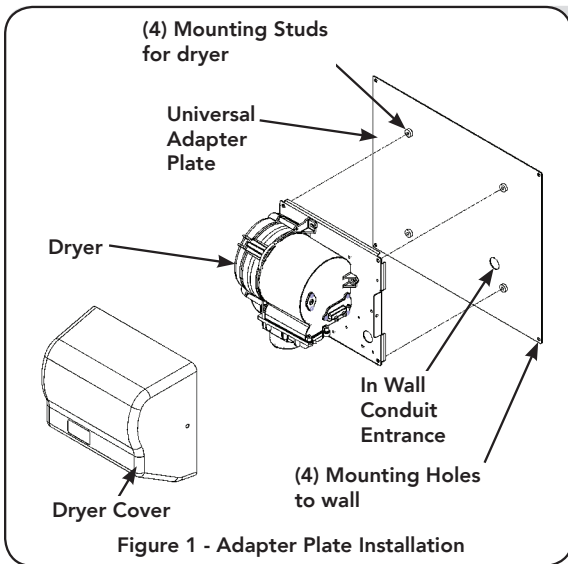
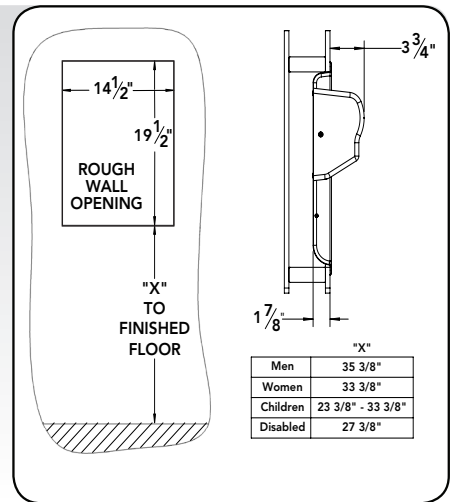
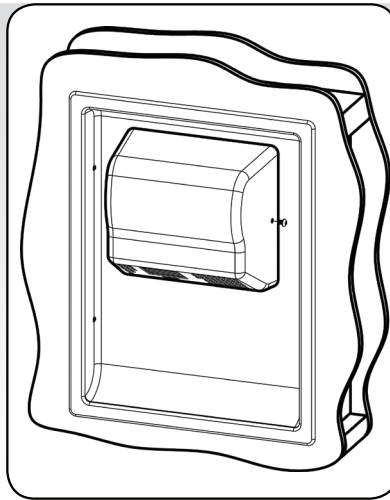


## ADA WALL GUARD - An Industry First!

- ADA compliance without having to cut a hole in your wall
- Easy installation below the dryer with four screws provided
- One-piece 19 gauge stainless steel
- Dimensions: 9-3/8" W x 18" H x 3-1/2" D
- Shipping weight: 4 pounds
- Part number: ADA-WG

## ADA RECESS KIT

- ADA compliance by reducing the protrusion of the dryer to less than 4 inches
- Easy installation between standard 16" on center wall studs
- 14-1/2" W X 19-1/2" H rough wall opening
- One-piece 19 gauge stainless steel
- Dimensions: 16-1/4" W x 21-1/4" H x 2" D
- Shipping weight: 7 pounds
- Part number: ADA-RK



## ADAPTER PLATE

- Covers holes and "footprint" from older dryers and paper towel dispensers
- Easy installation with four screws provided
- One-piece 18 gauge stainless steel
- Overall product dimensions: 16" W x 14" H
- Shipping weight: 5 pounds
- Part number: AP



American Dryer, Inc.

33067 Industrial Road | Livonia, MI 48150 | U.S.A.  
Toll Free 800.485.7003 U.S. | Ph: 734.421.2400 | Fax 734.421.5580

Web: [www.americandryer.com](http://www.americandryer.com)  
Email: [sales@americandryer.com](mailto:sales@americandryer.com)

### PART NO. ACCESSORIES

ADA-WG\* ADA Compliant seamless stainless steel wall guard

ADA-RK\* ADA Compliant seamless stainless steel recess kit

AP Stainless steel universal adapter plate

\*Not for use with HAIR dryers

For more information, visit [americandryer.com](http://americandryer.com)

Dryer not included

© American Dryer, Inc. All Rights Reserved. Rev. Nov. 2013